



Brick Oven Implementation

by

L. Esporlas, S. Flores, J. Limpin, M. Paloma, S. Ng

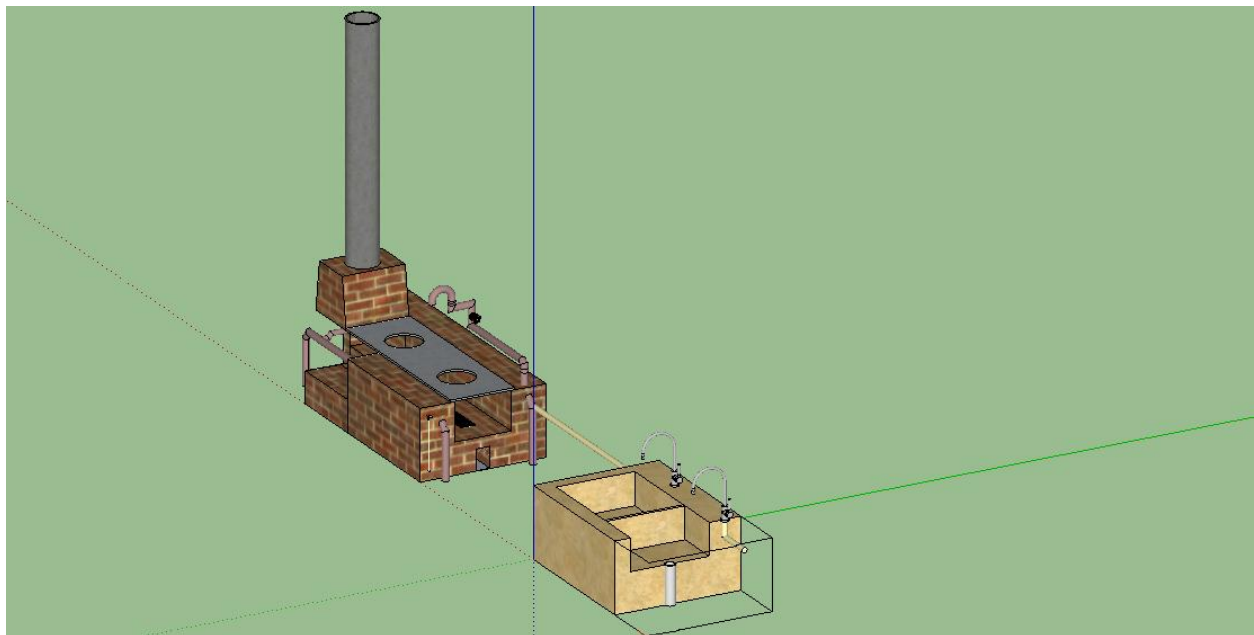
January 23, 2012

I. Background of the Project

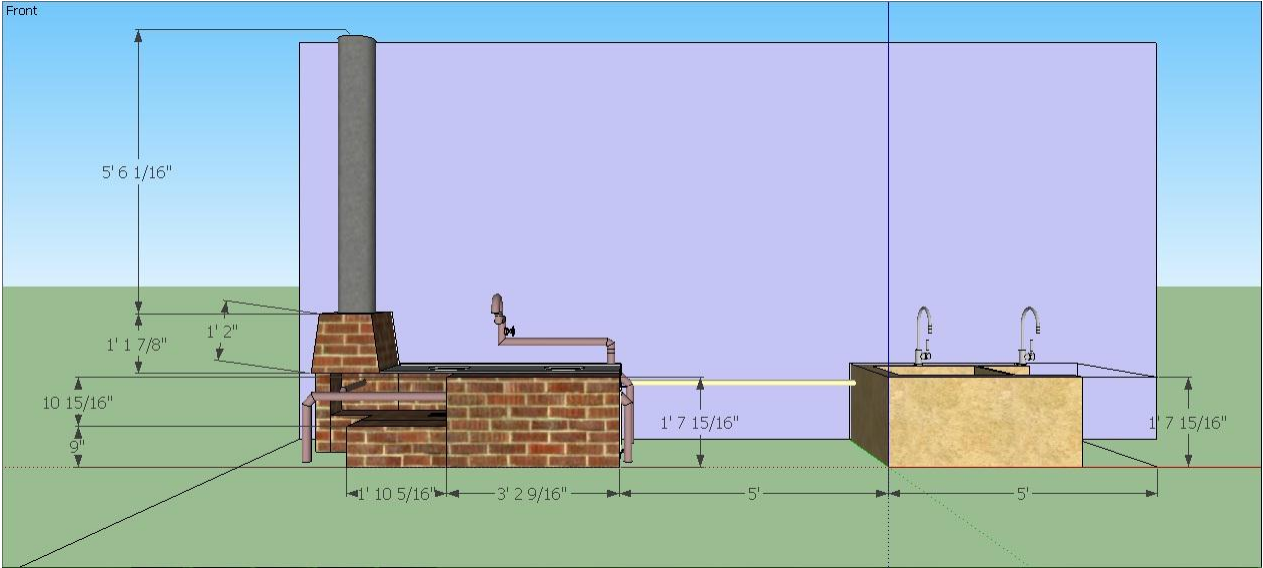
The Brick Oven Implementation is a project which addresses the need for the XU Ville Rehabilitation Project in Cagayan de Oro to find ways in order to cook their food. This project is implemented using resources that are readily available and cost efficient. The oven design was imitated from the design of the brick oven at Andoks. The project is designed using bricks and concrete for the building of the oven and sink. The oven makes use of the ability of the bricks to retain heat in order to heat up water using copper pipes that are implanted inside the walls of the oven. This heated water can then be used to wash their dishes and utensils in order to ensure that they are sterilized. This project offers an innovative way to use a brick oven not only for cooking but for heating water as well.

II. The Model

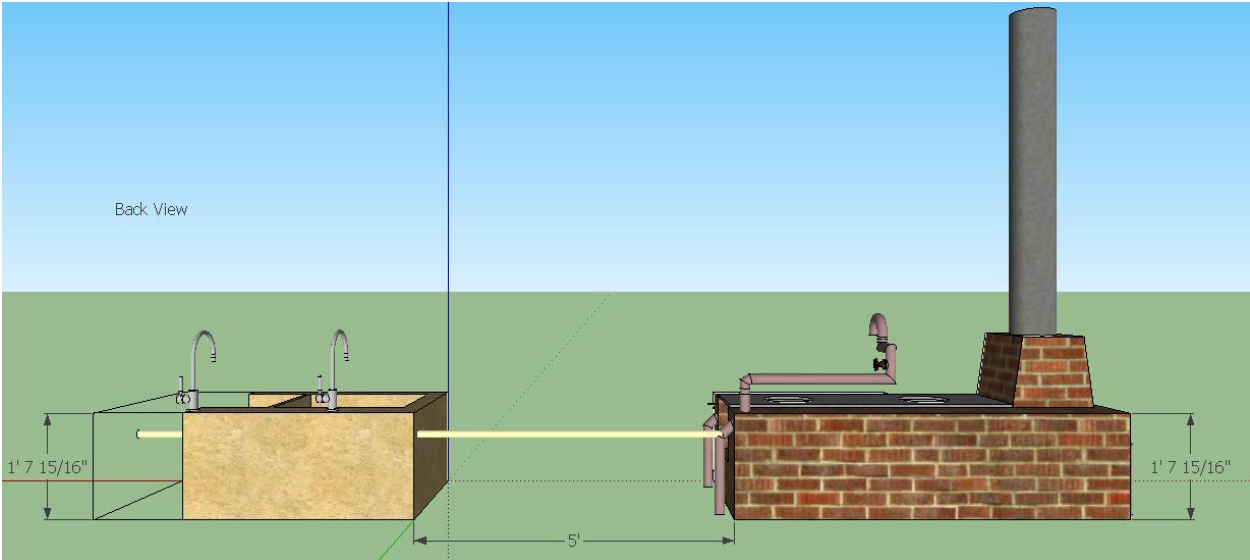
ISO View



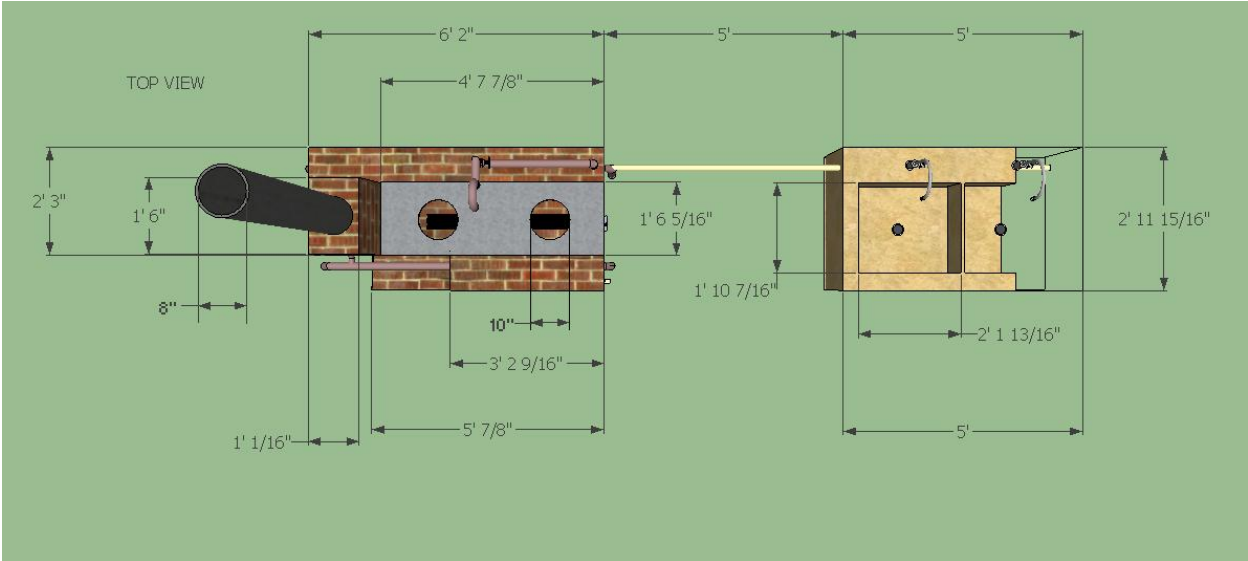
Front View



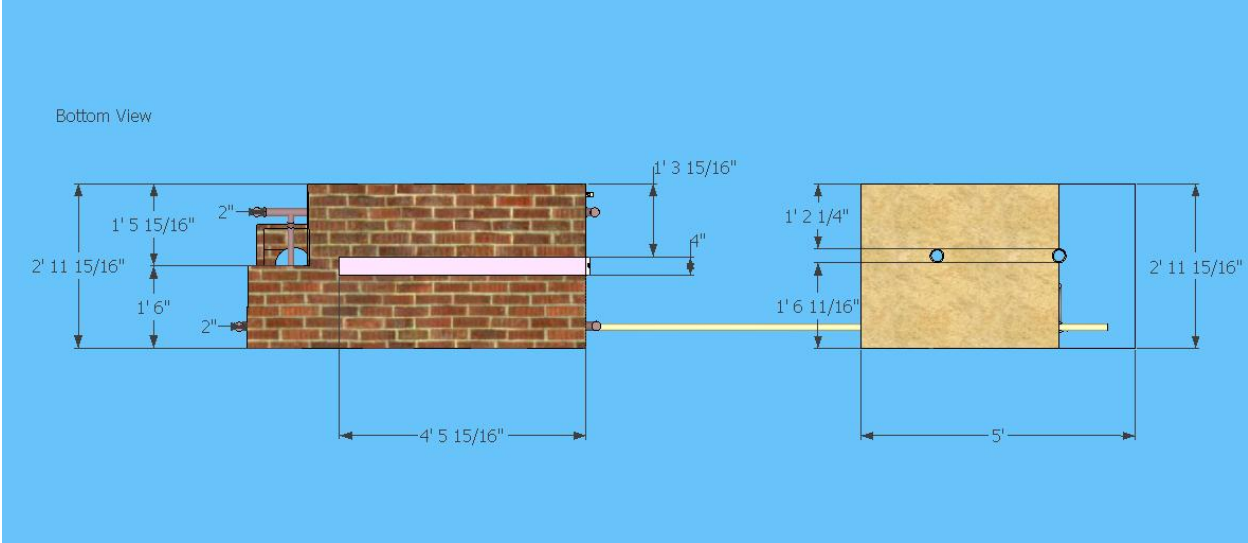
Back View



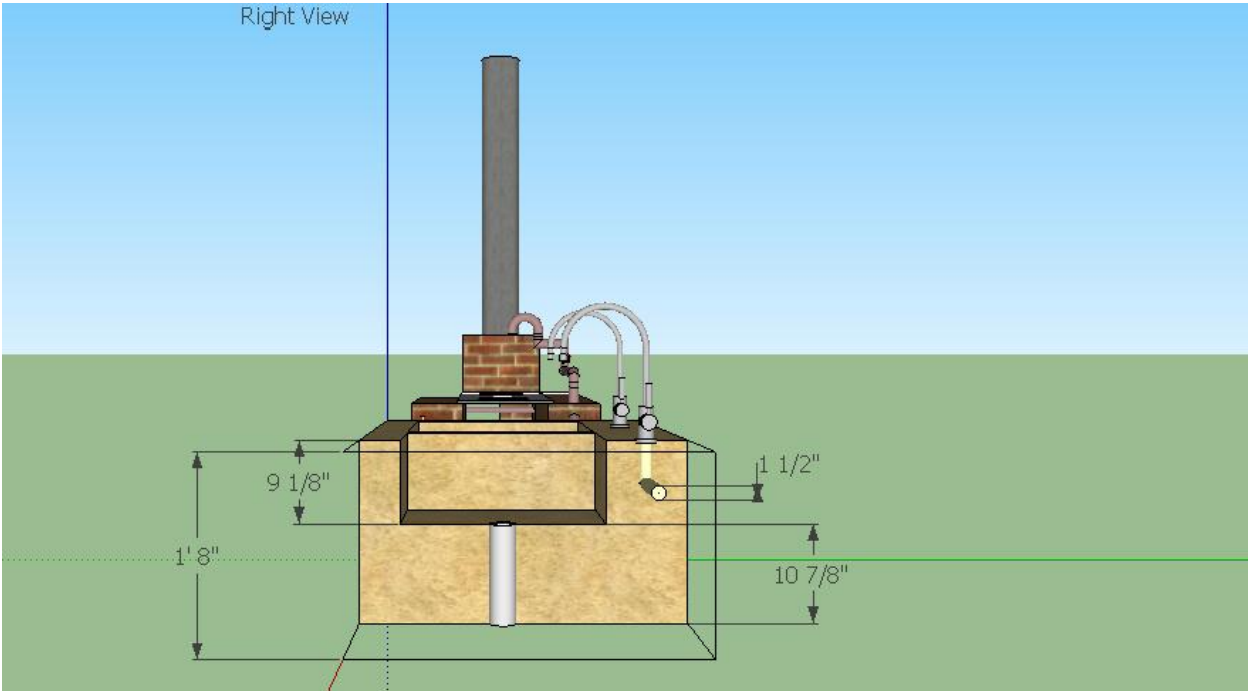
TOP VIEW



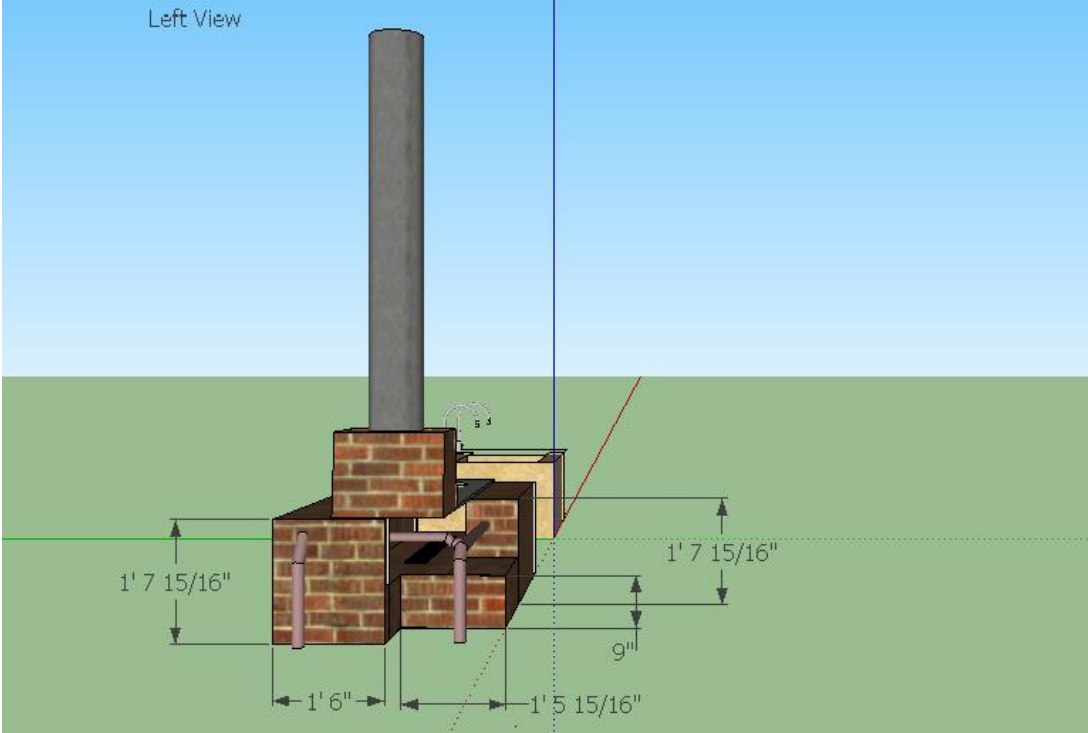
Bottom View



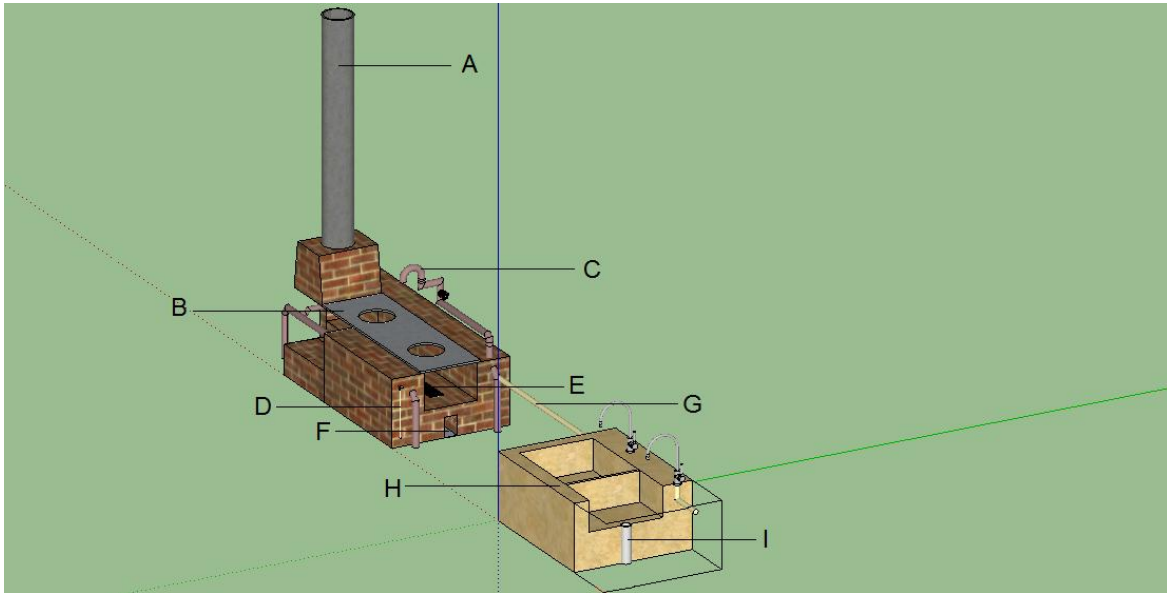
Right View



Left View



III. Model Parts

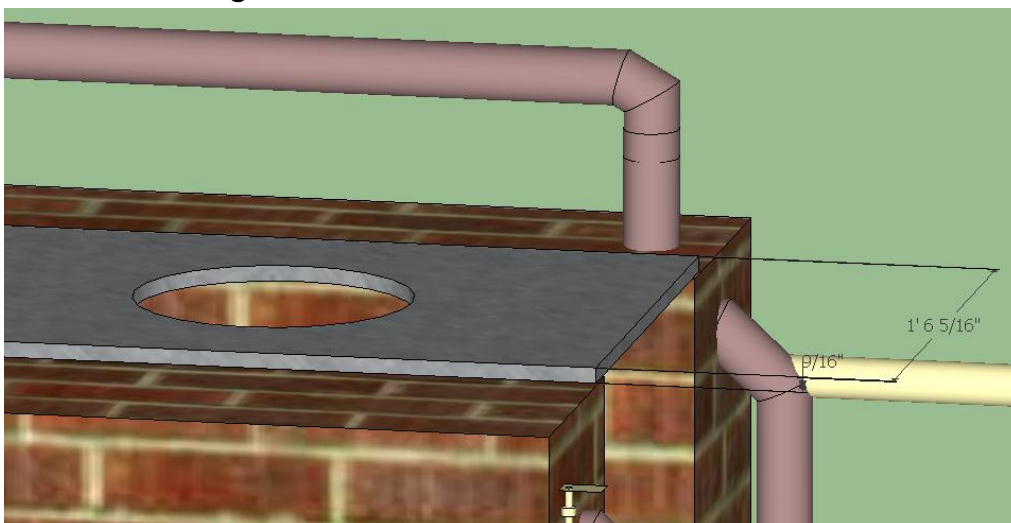


A. Chimney

The smoke produced by the burning wood will leave the system through this passage which enables less smoke emission in the household or the kitchen area.

B. Metal Pot Holder

This is where the metal pot or metal cauldron will be placed for heating and/or cooking food.



C. Faucet

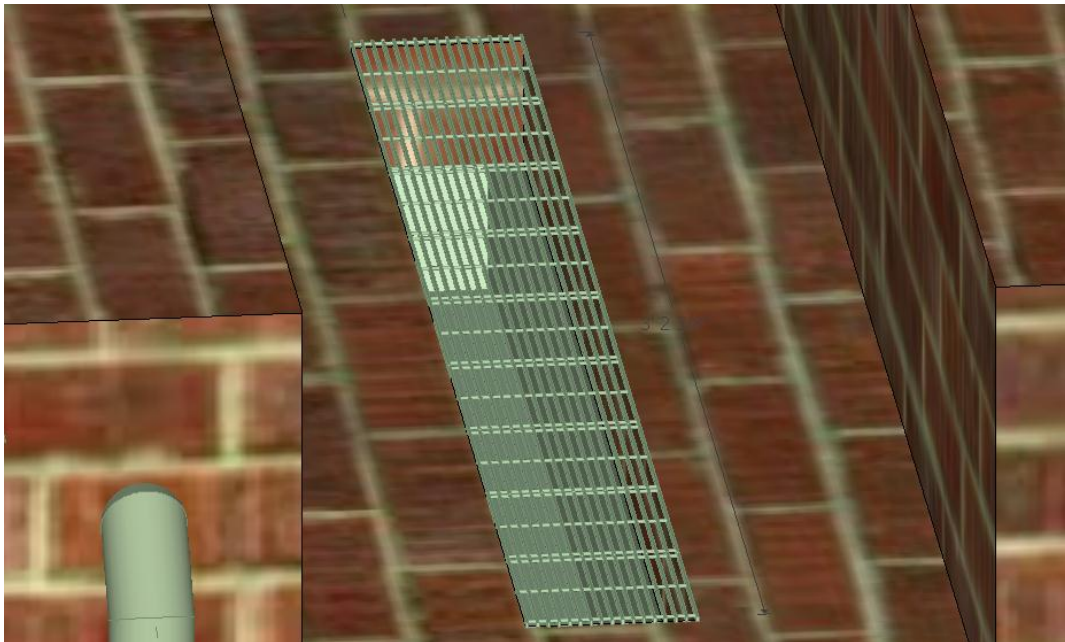
Hot water will come out from all three faucets when the brick oven is being used and is producing heat.

D. Pipe Connection for Heating

These pipes will use either copper or iron for faster conduction of heat. When water passes through this pipe, it will conduct the heat coming from the brick oven system thus producing hot water for washing dishes and the like.

E. Grills

The grills serve as the passage for the ash deposit of the wood to fall to the catch basin.



F. Catch Basin

The catch basin collects the ash deposit from the system for easy disposal.

G. Pipe Connection

The system not only has a faucet near the cooking area but also for the washing area.

H. Sink

The sink will be used for washing dishes and the like.

I. Drain

The drain is the exit point for waste liquid.